

TOLSEN X20

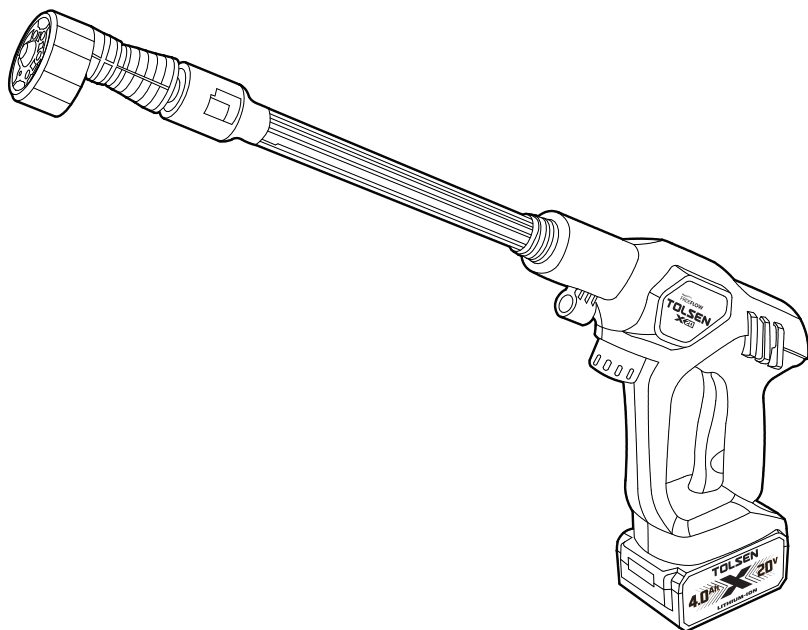
96520

LI-ION CORDLESS HIGH PRESSURE WASHER

INSTRUCTION MANUAL

20V LITHIUM-ION

CE RoHS



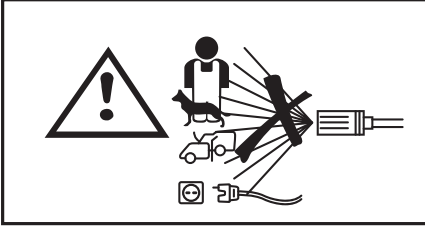
SAVE THIS MANUAL !

You will need this manual for safety instructions, operating procedures and warranty.

Put it and the original sales receipt in a safe dry place for future reference.

IMPORTANT SAFETY INFORMATION

Safety & Warning



When using electrical appliances, base safety precautions should always be followed including the following:

READ ALL INSTRUCTIONS

1. Use shall not direct water flow to the crowd and live components.
2. Ensure that children are not exposed to the range area when the battery pack is charged.
3. Battery pack and charger are hit by drop collision or wet visible state should be stopped immediately!
4. Must charge the battery pack in the presence of someone!
5. Chargers must choose the original factory (without authorization or the original factory's proposal to prohibit the use of other charging accessories or charging methods.
6. Charging environment is prohibited in high temperature or unattended or accessible locations for children.
7. Unscheduled product inspection, charger, battery pack, car washing machine mainframe, if abnormal or damaged or malfunction do not modify or disassemble.
8. This appliance can be used by children aged from 8 years and above and persons with reduced physical, sensory or mental capabilities or lack of experience and knowledge if they have been given supervision or instruction concerning use of the appliance in a safe way and understand the hazards involved.
Children shall not play with the appliance. Cleaning and user maintenance shall not be made by children without supervision.

Service

1. Have your power tool serviced by a qualified repair person using only identical replacement parts. This will ensure that the safety of the power tool is maintained.
2. Never service damaged battery packs. Service of battery packs should only be performed by the manufacturer or authorized service providers.
3. Follow instruction for lubricating and changing accessories.

Battery Safety

WARNING

This battery can only be used in the machines included in the TOLSEN X20V lithium-ion power platform system.

This battery can only be used cooperatively with the designated battery charger.

Li-Ion batteries, if incorrectly used, stored or charged will cause a fire, burn and explosion hazard.

Failure to follow these instructions may cause overheating or fire.

1. Keep the battery out of reach of children.
2. The battery should be charged at ambient temperatures between 5 and 40°C (ideally around 20°C) . After charging, allow 15 minutes for the battery to cool before use.
3. The Battery Charger monitors battery temperature and voltage while charging. DO NOT leave batteries on charge for extended periods and NEVER store batteries on charge. Ensure that the charger is disconnected from the mains supply after use.
4. When not in use batteries should be stored at room temperature. Do not store the tool and battery cartridge in locations where the temperature may reach or exceed 40°C (ideally around 20°C) .
5. Ensure that battery contacts cannot accidentally short in storage. Keep batteries clean; foreign objects or dirt may cause a short. Keep away from other metal objects, for example, paperclips, coins, keys, nails and screws.
6. **DO NOT** store lithium-ion battery packs in a discharged state over a long period as this can damage the lithium-ion cells. For long-term storage, store batteries in a high charge state disconnected from the power tool.
7. Batteries can become faulty over time, individual cells in the battery can fail and the battery could short. The charger will not charge faulty batteries. Use another battery, if possible, to check correct functionality of the charger and purchase a replacement battery if a faulty battery is indicated.
8. **DO NOT** open, disassemble, crush, heat or incinerate. Do not dispose of in fire or similar.

Battery Charger Safety

WARNING

This charger can only be used to charge the batteries which has TOLSEN X20V symbol. If it is used to charge other kinds of batteries, there is a risk of explosion. **DO NOT** attempt to recharge non-rechargeable batteries.

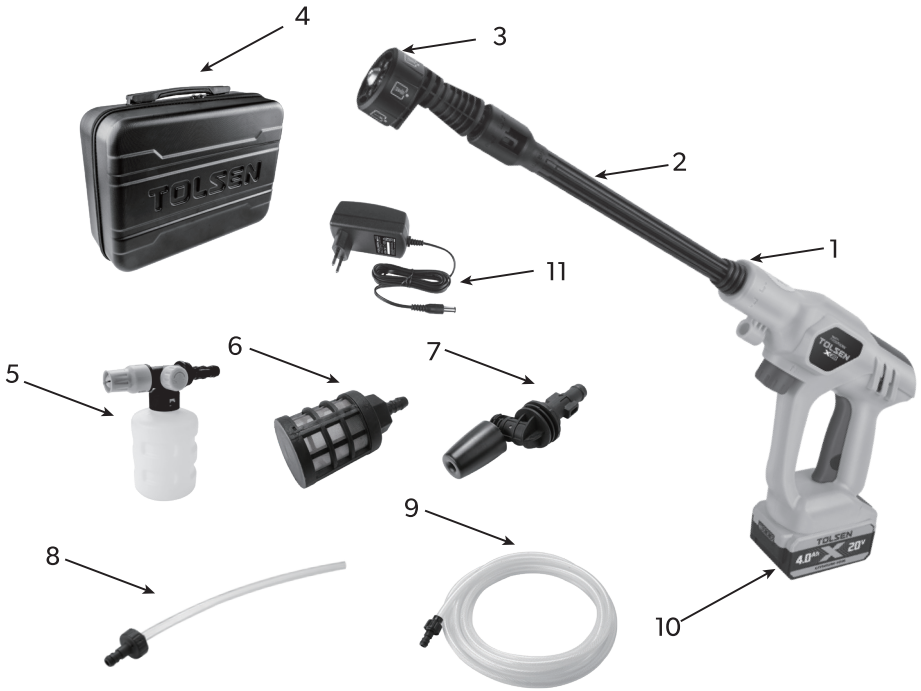
1. This is class 2 power supply. It is suitable for indoor use only.
2. Before use, the input and output technical data must be checked to secure correct use.
3. Do not use the Battery Charger in the circumstances that the output polarity does not match the load polarity.
4. Do not attempt to use the charger with any batteries other than those supplied. Keep your battery charger clean; foreign objects or dirt may cause a short or block air vents. Failure to follow these instructions may cause overheating or fire
5. If the supply cord is damaged, it must be replaced by the manufacturer, its service agent or similarly qualified persons in order to avoid a hazard.

SPECIFICATIONS

Rated Voltage	20VDC
Rated output power	250W
Max. pressure	2.5Mpa(360psi)
Max. working water flow	3.6L/min
Spray Nozzle	0°-40° adjustable
Working time	Up to 60 mins - High(20 mins) / Mid(40 mins) / Eco(60 mins)
Battery pack Voltage	20VDC
Battery capacity	4.0Ah
Charger	
Input Voltage	100-240VAC 50/60Hz
Output Voltage	21.5VDC
Rated output current	1.5A
Charging Time	165minutes
Protection class	□



FUNCTIONS

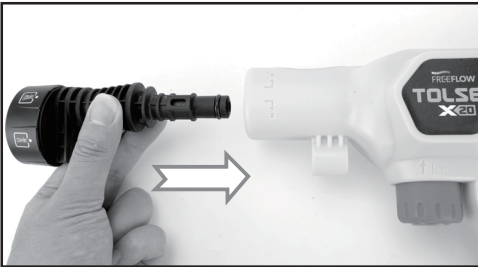


1. Fuselage Shell
2. Nylon Extension Rod
3. Washing gun 6 pattern nozzle
4. ABS storage case
5. Foam Pot
6. Filter Screen
7. Universal Sprinkler Head
8. Coke Bottle Connector
9. 5m Water Inlet hose
10. 4.0Ah Battery
11. Charger

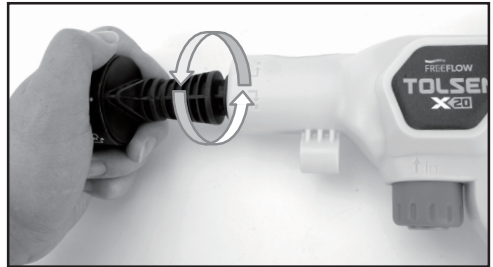
INSTALLATION GUIDELINE

Open the box to check whether the machine is in good condition and whether it is the corresponding model for purchase. Then take out the attachment one by one and place it in the plane. Install and use according to the operation procedure!

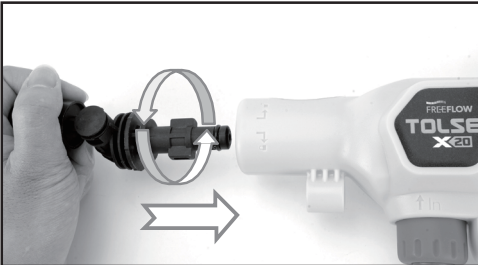
Note: If there is water in the machine, please don't get upset. The product is not second-hand. In order to ensure that you receive a product that is in perfect condition, each of our products undergoes a pumping test before leaving the factory.



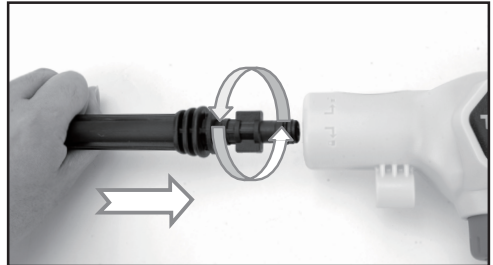
1. Align the groove and clip the 6-inch nozzle into the washer



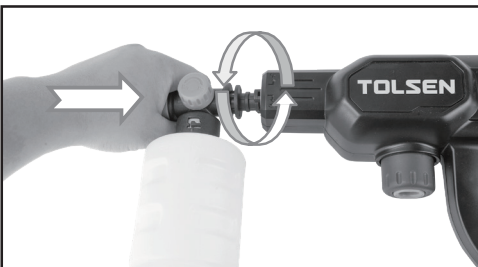
2. Press the locking nozzle into the groove and twist it to achieve self spraying



3. If angle adjustable nozzle or foam tank is to be used, the connection method is the same as step 01-02.



4. The extension rod is applicable to all nozzles, including foam tank joints.



5. Press the foam tank connector into the groove in the hose and twist it for self-locking.



6. The foam volume can be adjusted by turning the button on the adapter.



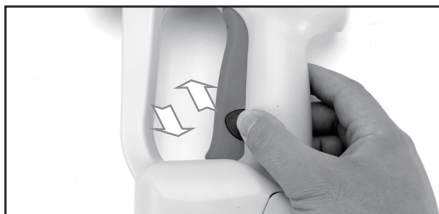
7. Connect the quick connector to the pressure washer. (Loosen the lock nut and engage upwards to remove the pipeline)



8. If you choose a six-in-1 nozzle, you can twist the nozzle to change the spraying mode.



9. Connect the battery to the cleaning machine.



10. Press the safety button to the unlocked position



11. Press and hold the start switch to operate.



12. Press this button to switch between three gear modes.



13. After completing the work, press the safety lock button back.



14. Press the button to remove the battery.



15. Press the red button to display the battery level.



16. Plug in the power to charge.

TROUBLESHOOTING

problem	Possible cause	Remedy
Normal operation of machine without water suction	<ol style="list-style-type: none"> 1. Machine is too high above water 2. Filter screen foreign body clogging failure of connection of 3. Intake pipe to machine or rupture of intake pipe 4. Intake pipe bending clamp 5. The pump froze because of the cold weather 	<ol style="list-style-type: none"> 1. Down to below 1.5 m ground 2. Remove filter and clean 3. Check and replace water pipes, please contact customer service 4. Straighten out intake pipes and reconnect 5. Restart after thawing
Sudden increase in effluent pressure or abnormal water type	The head of the water gun was blocked by a foreign body	Use a needle to clear the nozzle or replace the new gun head
Machine does not start	<ol style="list-style-type: none"> 1. Battery pack not Installed 2. Battery pack Is dead 3. Battery pack is broken 4. Safety button in locked position 	<ol style="list-style-type: none"> 1. reinstallation 2. Charge or replace new battery pack 3. Replacement of battery pack 4. Press the safety button to the unlocked position
Battery pack not charged	Charger mismatch or broken	Replacement of matching charger
Machine pressure discontinuity	<ol style="list-style-type: none"> 1. Air in pump 2. Machine in low voltage mode 	<ol style="list-style-type: none"> 1. Check that joints and pipes are in good condition 2. Normal at low pressure, no treatment required
Machine automatic stop	<ol style="list-style-type: none"> 1. Battery pack is dead 2. Gun head blocked, current protection 	<ol style="list-style-type: none"> 1. Charge or replace battery pack 2. To clear or replace the head
Leakage Inside machine	Chemical acid source or assembly cause	Avoid using chemical sources

MAINTENANCE

1. Each time before use, please check if the machine and parts are damaged, if there is damage stop using the machine, contact the supplier or manufacturer to replace the parts.
2. Intake pipes and filters must be cleaned after each use and bags should be kept to avoid oxidation for easy use in the future.
3. After the use of the mainframe, the empty machine should run for a few seconds to drain the residual water from the machine, avoid oxidation dirt and weather ice, and store in a dry cool place.
4. Waste disposal: for damaged accessories and packaging materials must be classified and recovered, do a good job of marking.
5. Do not store in the trunk of the car high temperature weather to avoid fire caused by high temperature.

WARNING: do not use chemical acid and muddy water, must use clean, impurity-free clear water.



Disposal

Always adhere to national regulations when disposing of power tools that are no longer functional and are not viable for repair.

- Do not dispose of power tools, or other waste electrical and electronic equipment (WEEE), with household waste.
- Contact your local waste disposal authority for information on the correct way to dispose of power tools

CE DECLARATION OF CONFORMITY

WE

SUZHOU TOLSEN TOOLS CO.,LTD.
198 HUASHAN ROAD, ZHANGJIAGANG,
JIANGSU, CHINA

Declare that the product
96520
LI-ION CORDLESS HIGH PRESSURE WASHER

Complies with the essential health and safety requirements of the following Directices:
council directive 2006/42/EC

Standards and technical specifications referred to:
European Directive(s): EMC Directive 2014/30/EU
EN IEC 55014-1:2021
EN IEC 61000-3-2:2019+A1:2021
EN 61000-3-3:2013+A1:2019+A2:2021
EN IEC 55014-2:2021
EN 62841-1:2015+A11:2022

Authorised Signatory and technical file holder

Signed for and on behalf of:

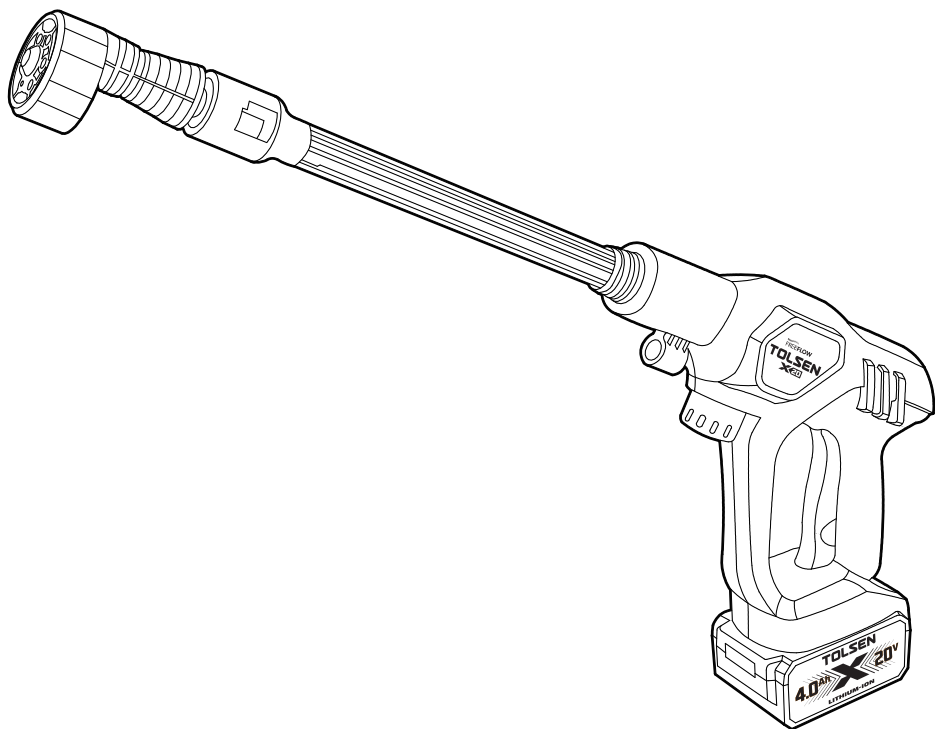
SUZHOU TOLSEN TOOLS CO.,LTD.
198 HUASHAN ROAD, ZHANGJIAGANG,
JIANGSU, CHINA

WANG QING

Group Quality Director

on: 02/09/2023





**SUZHOU TOLSEN
TOOLS CO.,LTD.**

www.tolseentools.com

TOLSEN is a trademark or
registered trademark of TOLSEN
TOOLS. All rights reserved.
MADE IN CHINA



SCAN TO VISIT
PRODUCT LINK