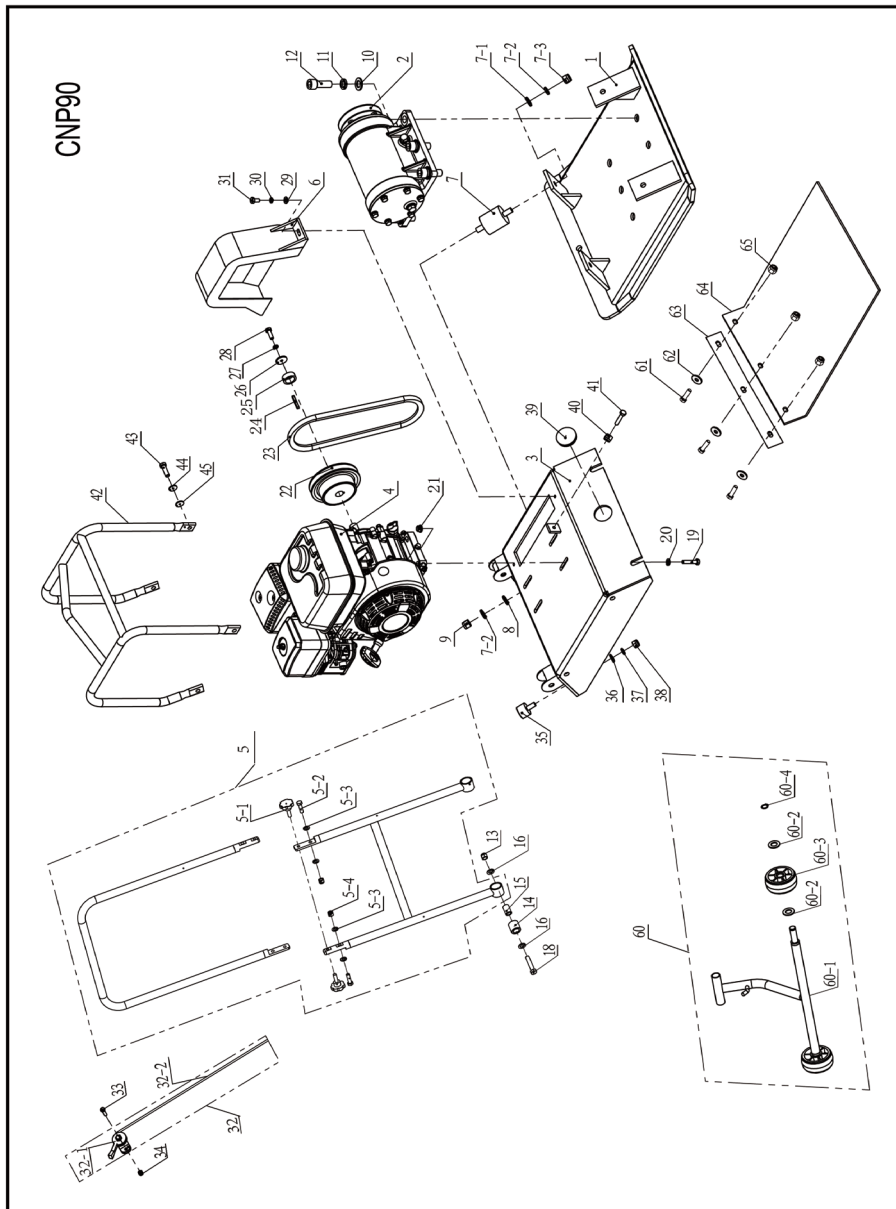


REPLACEMENT PARTS LIST

Major Components

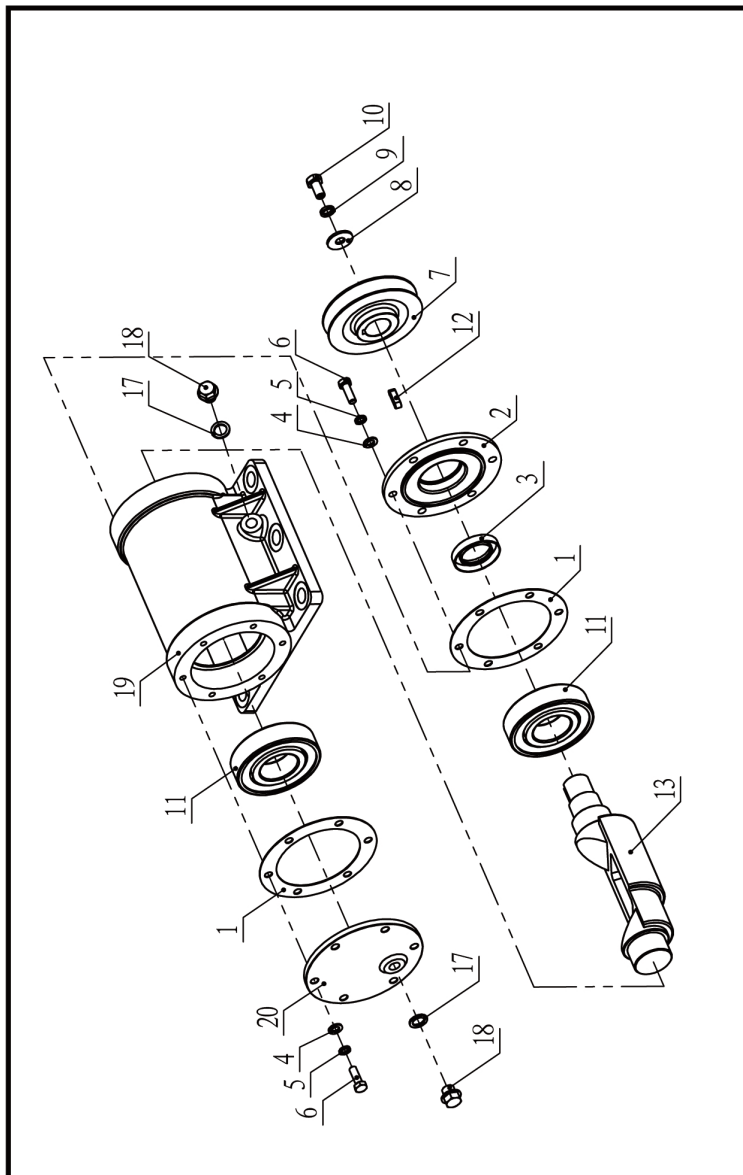


| PART NO. | DESCRIPTION | QTY |
|----------|--|-----|
| 1 | Vibrating plate | 1 |
| 2 | Vibrator assembly | 1 |
| 3 | Plate for engine mounting | 1 |
| 4 | Engine | 1 |
| 5 | Foldable Handle Assy (optional) | 1 |
| 5-1 | Horned bolt M10 (optional) | 2 |
| 5-2 | Hexagonal bolt M10x35 (optional) | 2 |
| 5-3 | Flat washer \varnothing 10 (optional) | 4 |
| 5-4 | Locknut M10 (optional) | 2 |
| 6 | Belt cover | 1 |
| 7 | Shock absorber for vibrating plate | 4 |
| 7-1 | Flat washer \varnothing 12 | 4 |
| 7-2 | Spring washer \varnothing 12 | 8 |
| 7-3 | Nut M12 | 4 |
| 8 | Flat washer \varnothing 12 | 4 |
| 9 | Nut M12 | 4 |
| 10 | Flat washer \varnothing 16 | 6 |
| 11 | Spring washer \varnothing 16 | 6 |
| 12 | Socket head bolt M16x40 | 6 |
| 13 | Locknut M12 | 2 |
| 14 | Rubber coupling for handle | 2 |
| 15 | Liner for handle | 2 |
| 16 | Flat washer \varnothing 12 | 4 |
| 18 | Hexagonal bolt M12x60 | 2 |
| 19 | Hexagonal bolt M8x40 | 4 |
| 20 | Flat washer \varnothing 8 | 4 |
| 21 | Nut M8 | 4 |
| 22 | Clutch assembly | 1 |
| 23 | Belt | 1 |
| 24 | Flat key | 1 |
| 25 | Liner for engine | 1 |
| 26 | Bigger flat washer \varnothing 8 | 1 |
| 27 | Spring washer \varnothing 8 | 1 |
| 28 | Bolt M8 | 1 |
| 29 | Flat washer \varnothing 8 | 2 |
| 30 | Spring washer \varnothing 8 | 2 |
| 31 | Socket head bolt M8x20 | 2 |
| 32 | Throttle lever assy | 1 |

| | | |
|-------|--------------------------------|---|
| 32- 1 | Throttle lever | 1 |
| 32- 2 | Throttle cable | 1 |
| 33 | Bolt M6x30 | 2 |
| 34 | Locknut M6 | 2 |
| 35 | Collar | 2 |
| 36 | Flat washer \varnothing 10 | 2 |
| 37 | Spring washer \varnothing 10 | 2 |
| 38 | Nut M10 2 | 2 |
| 39 | Rubber cap | 1 |
| 40 | Nut M8 | 1 |
| 41 | Hexagonal bolt M8x50 1 | 1 |
| 42 | Protective frame (optional) | 1 |
| 43 | Hexagonal bolt M12x35 | 4 |
| 44 | Spring washer \varnothing 12 | 4 |
| 45 | Flat washer \varnothing 12 | 4 |

| | | |
|-------|--|---|
| 60 | Trolley wheel Assy (optional) | 1 |
| 60- 1 | Bracket of trolley wheels (optional) | 1 |
| 60- 2 | Flat washer \varnothing 17 (optional) | 4 |
| 60- 3 | Wheel (optional) | 2 |
| 60- 4 | Circilp \varnothing 17 (optional) | 2 |
| 61 | 61 Hexagonal bolt M8x35 (optional) | 3 |
| 62 | Flat washer \varnothing 8 (optional) | 3 |
| 63 | Crimping plate (optional) | 1 |
| 64 | Rubber mat (optional) | 1 |
| 65 | Nut M8 (optional) | 3 |

Vibrator Assembly



| PART NO. | DESCRIPTION | QTY |
|----------|--------------------------------|-----|
| 1 | Paper cushion | 2 |
| 2 | Case cover for pulley | 1 |
| 3 | Oil seal 35x55x12 | 1 |
| 4 | Flat washer $\varnothing 8$ | 12 |
| 5 | Spring washer $\varnothing 8$ | 12 |
| 6 | Hexagonal bolt M8x25 | 12 |
| 7 | Pulley, driven | 1 |
| 8 | Flat washer $\varnothing 10$ | 1 |
| 9 | Spring washer $\varnothing 10$ | 1 |
| 10 | Air vent screw M10x30 | 1 |
| 11 | Bearing 6309 | 2 |
| 12 | Flat key 8x20 | 1 |
| 13 | Ecc. Rotary shaft | 1 |
| 14 | Hexagonal bolt M16x40 | 6 |
| 15 | Spring washer $\varnothing 16$ | 6 |
| 16 | Flat washer $\varnothing 16$ | 6 |
| 17 | Alumimum washer | 1 |
| 18 | Oil plug | 1 |
| 19 | Vibrating case | 1 |
| 20 | Case cover / shut-off | 1 |