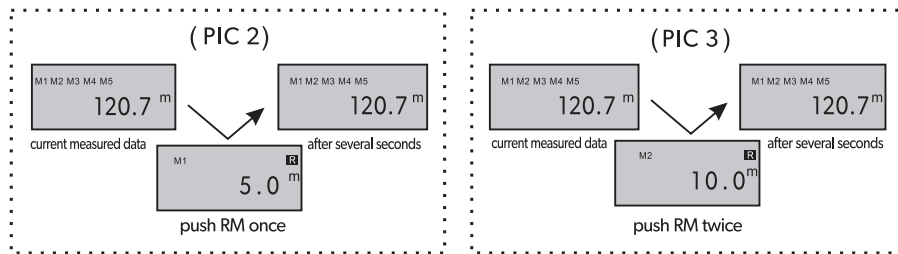


TOLSEN

35192 MEASURING WHEEL

INSTRUCTION MANUAL

- 1.ON/OFF:power on or off
- 2.m/ft: shift between metric and inch system.mstands for metric.ftstands for inch system.
- 3.sm:store memory.after measurement,push this button,you will store the measured data in memory m1,2,3... pic1 shows the display.
- 4.rm: recall memory.push this button to recall the stored memory in M1....M5.if you store 5m in M1,10m in M2. while the current measured data is 120.7M, after you push the button rm once, it will display the data of M1 and an additional R sian at the right corner, after several seconds, it will show the current measured data again.(see Pic2). if you push rm button twice, it will show the data of M2 and ar additional Bsian atthe rihgt corner. 3after several seconds. it will show the current measured data again.(see Pic3).
- 5.CLR:clear the data. push this button to clear the current measured data.



WARNING

1. if you measure a straight line,make sure to walk straightly
2. do not measure uneven surface, otherwise the accuracy cannot be guaranteed.
3. do not use it in the rain for a long time.4. do not use it in high temperature environment as well as store it.
4. if the display is dark and the battery sign appears, please replace the batteries
5. do not dispose of batteries freely, please recycle it at specified places
6. if you will not use this instrument for a long time, remove the batteries and store it in dry and suitable place
7. do not use it as a toy to avoid extra injury.

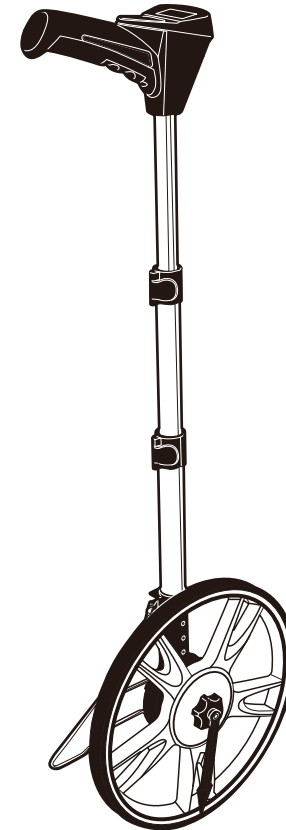
SUZHOU TOLSEN
TOOLS CO.,LTD.

www.tolsentools.com

TOLSEN is a trademark or
registered trademark of TOLSEN
TOOLS. All rights reserved.
MADE IN CHINA



SCAN TO VISIT
PRODUCT LINK



SAVE THIS MANUAL !

You will need this manual for safety instructions, operating procedures and warranty.
Put it and the original sales receipt in a safe dry place for future reference.

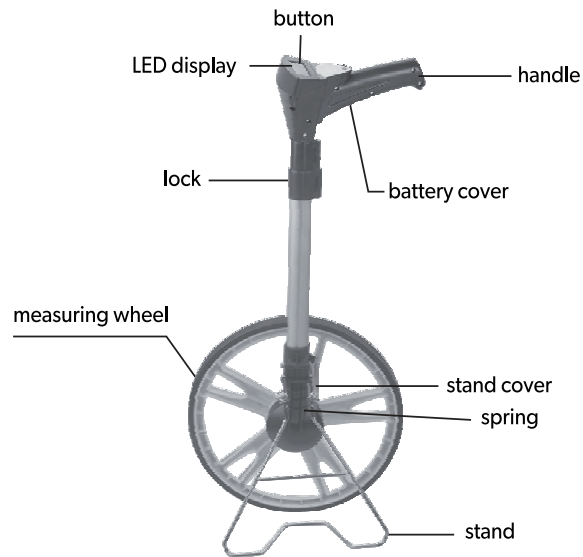
Thank you for choice of our products, digital measuring wheel is suitable for long distance measuring, widely used for road or ground measuring e.G. Construction, family, play ground, garden, etc... And measuring of steps as well. It is a cost-effective measuring wheel with high technology and humanized design, easy and durable.

THE INSTRUCTION TO INSTALL THE WHEEL.

1. Lay the distance measuring wheel with the axle facing up.
2. See the picture, install the wheel by aligning the center hole of the wheel on the axle, and then rotate the wheel one circle, so that the center slot of the wheel and the axle slot engage each other.
3. See the picture, screw the knob nut with pointer clockwise into the center hole of the axle tightly.



MAIN PARTS



TECHNICAL DATA

- a. max measuring range: 99999.9m ,99999.9ft
- b. accuracy:0.5%.
- c. resolution:0.1m
- d. power:3v(2XLR3 batteries)
- e. suitable temperature:-10°C-45°C
- f. diameter of the wheel:318 mm

BUTTON OPERATION

