

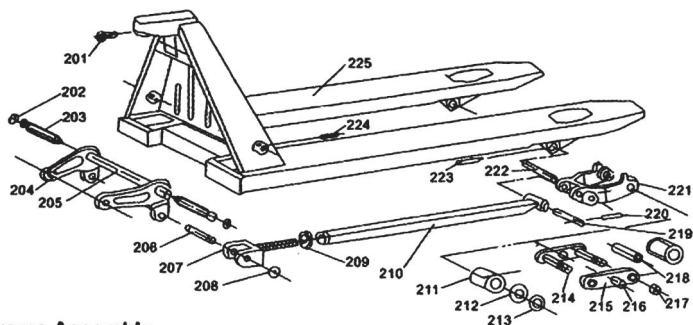
100 Pump and Rear Wheel Assembly

No. Description

101	Dust ring DH28
102	O-ring d28×3.35
103	Y-ring 28×36×5
104	O-ring d5×2.65
105	Oil Screw M8×10
106	Lift Piston Rod
107	Ball SΦ18
108	Pump Piston Rod
109	Spring Cap
110	SpringΦ42×5×96
111	Dust ring
112	Y-ring18×22×8
113	Bolt M14×1.5
114	WasherΦ14×1.2
115	Valve Jacket SpringΦ9.5×1.5×12.5
116	Valve Disk SpringΦ5.5×0.7×15
117	Valve Jacket
118	Ball SΦ9
119	Ball SΦ6
120	Bearing Washer
121	Thrust Ball Bearing51108
122	Shaft Spring Ring 40
123	Spring Pin Φ5×40

No. Description

124	Spring Pin Φ5×30
125	Seat Pin
126	Rear Wheel Axle
127	Rear WheelΦ180×50
128	Shaft Spring Ring 17
129	Dust Cap
130	Adjusting Screw M6×25(+Nut)
131	Lowering Lever
132	O-ringΦ4.87×1.8
133	Oil Drainage Rod
134	Oil Drainage Rod SpringΦ7.5×1.2×25
135	Pressure Adjustment Valve Screw M10×1×12
136	O-ring d4.87×1.8
137	Pressure Adjustment Screw M10×1×9
138	Pressure Adjustment SpringΦ8×2×16.5
139	Spring Seat
140	Ball SΦ6
141	Handle Pin
142	Spring PinΦ5×30
143	Rear Wheel AxleΦ303
144	Seat
145	Forced Filling Oil Cup



200 Frame Assembly

No.	Description	No.	Description
201	Bolt M8×15	214	Hexagon Bolt M10×80
202	Shaft Spring Ring 18	215	Balance Arm
203	Arm Pin	216	Balance Arm Axle Head
204	Arm (L/R)	217	Locknut M10
205	Arm Connection	218	Shaft Jacket
206	Push Rod Pin	219	Push Rod Shaft
207	Push Rod Fork	220	Spring Pin Φ4×25
208	Shaft Spring Ring 16	221	Front Wheel Frame
209	Round Nut M18×1.5	222	Wheel Frame Axle
210	Push Rod	223	Spring Pin Φ5×30
211	Front Wheel Φ70×60	224	Spring Pin Φ4×30
212	Bearing 6303	225	Frame
213	Round Washer		

300 Handle Assembly

No.	Description
301	Handle
302	Spring Plate
303	Spring Pin Φ4×30
304	Roller
305	Spring Pin Φ4×16
306	Control Lever
307	Spring Pin Φ4×14
308	Spring Pin Φ6×30
309	Pressure Roller
310	Pressure Roller Shaft
311	Shaft Spring Ring 12
312	Release Rod
313	Roller Chain 25H×19
314	Hinge Screw
315	Adjusting Nut M5

